

MAIN PARTICULARS

Class Notation	: ABS, \star A1, \oplus , Towing Vessel, \star AMS or equivalent
Length Overall	: 29.00 m
Length waterline	: 28.30 m
Breadth Moulded	: 10.50 m
Depth Moulded	: 4.96 m
Design Summer Draft	: 4.00 m
Gross Tonnage	: abt. 350
Max Speed	: 12.00knots @ draft 3.80m
Bollard Pull	: 50 MT @ 100% MCR
Endurance	: 10 days @ 80% MCR 24 hours per day
Complement	: 10 P

DECK EQUIPMENT

Deck Crane

Foldable Boom Crane : SWL 1.0T @ 12.0 m radius

Towing Equipment

Forward Winch/Windlass	: 1 x Single drum electro-hydraulic with 2 x Warping heads, 2 x Cable lifters
Drum Capacity	: 200m @ 96dia. Rope
Forward Towing Post	: 1 x H-shaped Towing Post
Aft Towing Post	: 1 x H-shaped Towing Post
Aft Towing Winch	: 1 x Single drum electro-hydraulic with 1 x Warping head
Drum Capacity	: 700m @ 46dia. Rope
Aft Towing Hook	: 1 x 55 T SWL disc type towing hook

CAPACITY

Fuel Oil Tank	: 160 m ³
Fresh water tank	: 30 m ³
Ballast water Tank	: 40 m ³
Foam Tank	: 7 m ³
Dispersant Tank	: 7 m ³
Lube Oil Tank	: 2 m ³

NAVIGATION EQUIPMENT

Navigation	1 x 36NM x-band daylight type radar
	1 x GPS compass (or satellite compass)
	1 x reflector type magnetic compass
	1 x Automatic Identification System (AIS)
	1 x echo sounder
	1 x speed log
	1 x Differential Global Positioning System (DGPS)
	1 x Bridge Navigational Watch Alarm System (BNWAS)
	1 x Auto Pilot System

DISCHARGE RATES

Fire/GS Pump	: 1 x 30 m ³ /hr@40 m head
Bilge/Ballast Pump	: 1 x 30 m ³ /hr@40 m head
Fuel Transfer Pump	: 1 x 5 m ³ /hr@18 m head

COMMUNICATION EQUIPMENT

Navigation	GMDSS Sea Area A1+A2+A3
	1 x MF/HF Radio Equipment / DSC Watch Receiver
	1 x NBDP
	1 x Inmarsat C Station
	2 x VHF Radio Equipment / DSC Watch Receiver
	1 x Satellite EPIRB
	1 x Radar Transponder (SART)
	1 x NAVTEX Receiver
	2 x Two-Way VHF Radio hand held

MACHINERY

Main Engine	: 2 x 2000PS @ 750rpm
Propeller	: 2 x FPP Azimuth Thruster with 19A Nozzles
Main Generator Sets	: 2 x 108 kW each

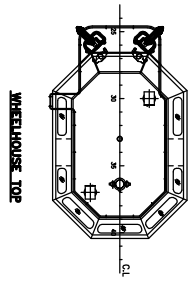
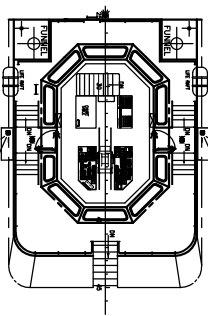
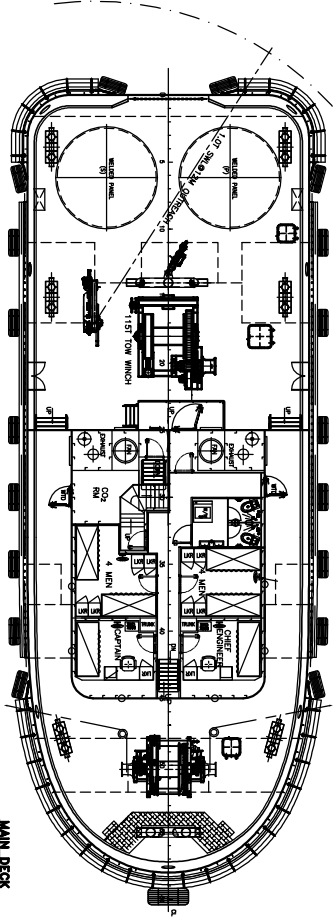
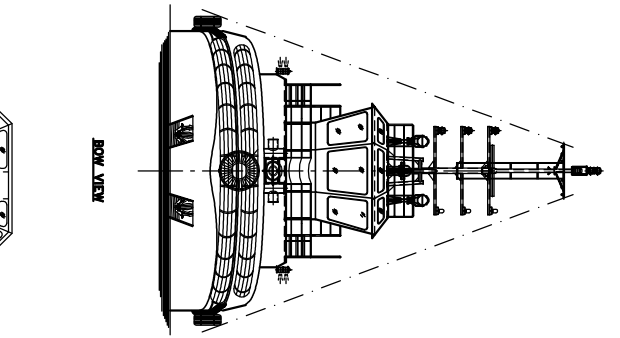
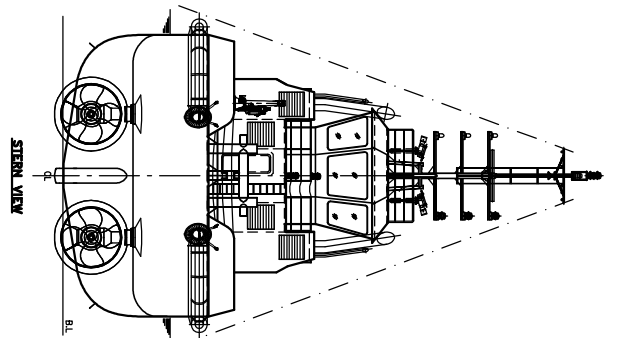
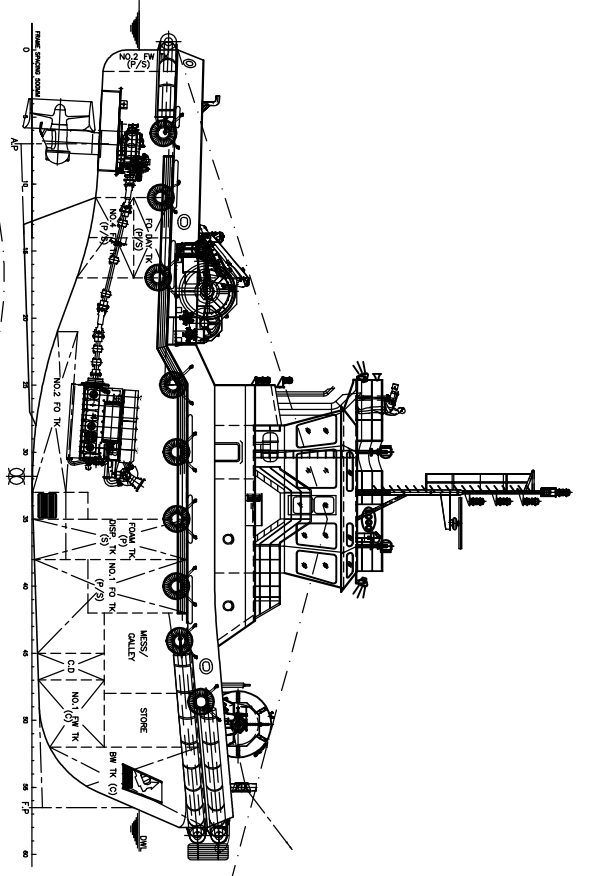
GENERAL ARRANGEMENT

PaxOcean Engineering Pte Ltd

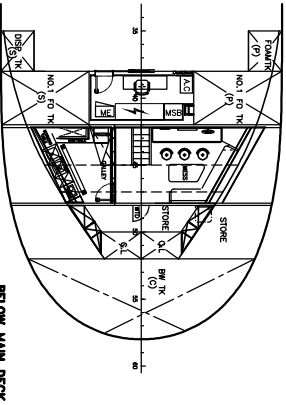
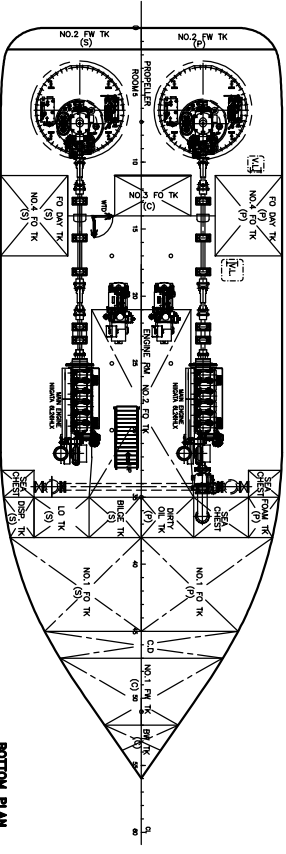
1 Kim Seng Promenade, #06-02 Great World City, Singapore 237994

Tel: +65 6733 3500 ♣ Fax: +65 6836 1642 ♣ marketing@paxocean.com ♣ www.paxocean.com

Note: The information and sketches in this document are given in good faith without express, implied or statutory warranty or condition.



PRINCIPAL PARTICULARS
 LENGTH O.A. 28.00M
 LENGTH W.L. 28.30M
 BEAM M.D. 10.50M
 DEPTH M.D. 4.98M
 DRAFT MAX. 4.00M
 SCANTLING DRAFT 4.00M
 COMPLIMENT 10 MEN



NO.	DATE	DESCRIPTION OF REVISION	MADE BY	CHECKED BY	APPROVED BY

OWNER :		MODIFICATION LIST			
DESIGNER :		GENERAL ARRANGEMENT			
DRAWN :		DATE: 17/09/2013			
CHECKED :		DATE:			
APPROVED :		DATE:			
SCALE:		DATE:			
SHEET NO.:		DATE:			
PROJECT:		DATE:			
DRAWING NO.:		DATE:			
DRAWING TITLE:		DATE:			
DRAWING NO.:		DATE:			
DRAWING TITLE:		DATE:			

THIS DOCUMENT IS THE PROPERTY OF DDW-PaxOcean. IT IS TO BE USED ONLY FOR THE PROJECT AND VESSEL SPECIFICALLY IDENTIFIED HEREON. IT IS NOT TO BE REPRODUCED, COPIED, OR TRANSMITTED IN ANY FORM OR BY ANY MEANS, WITHOUT THE WRITTEN PERMISSION OF DDW-PaxOcean. DDW-PaxOcean shall not be held responsible for any errors or omissions in this document. The user shall be responsible for the accuracy and completeness of the information provided. DDW-PaxOcean shall not be held responsible for any damages, losses, or expenses incurred by the user in connection with the use of this document.